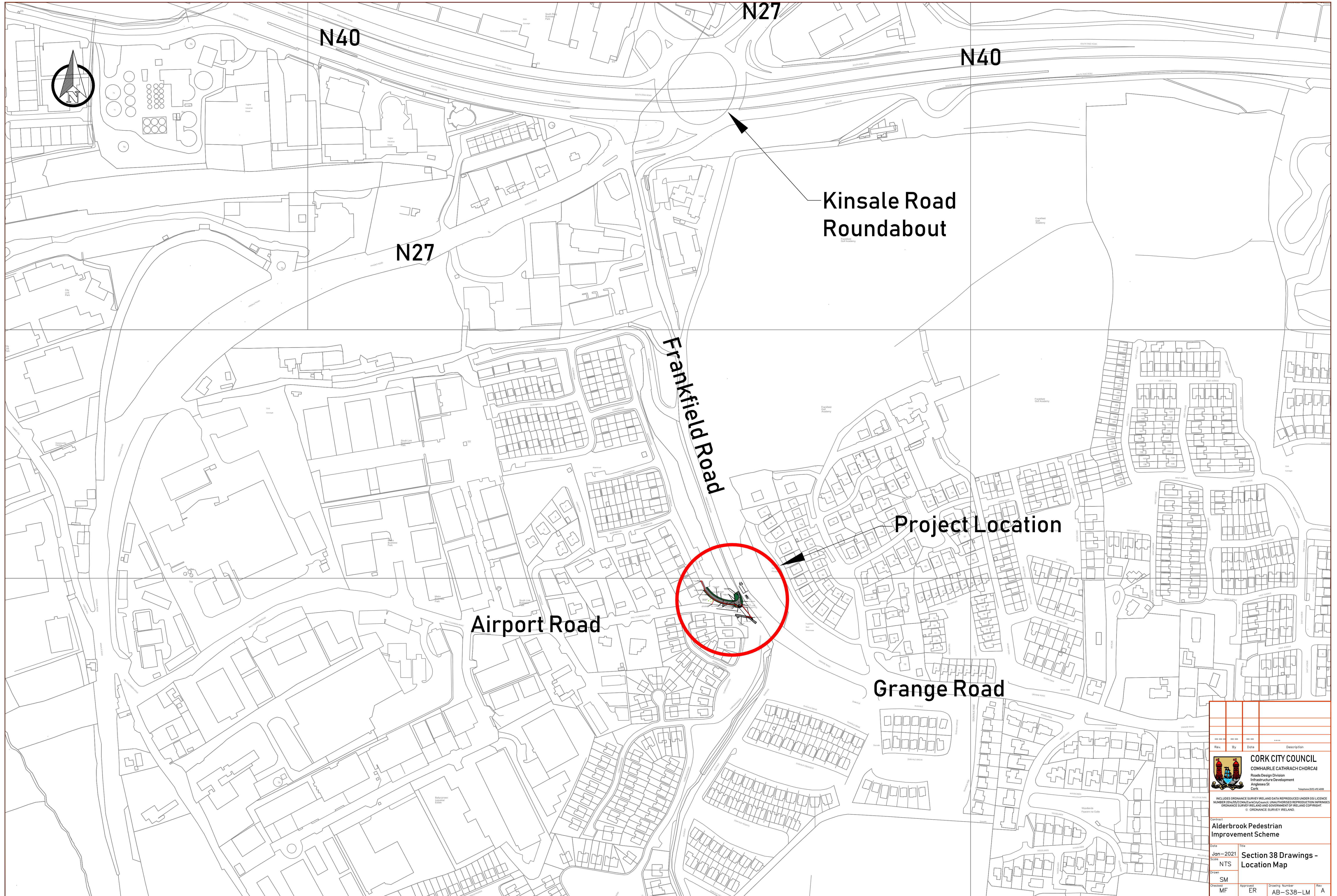


CORK CITY COUNCIL


COMHAIRLE CATHRACH CHORCAÍ

Alderbrook Pedestrian Improvement Scheme

Road Traffic Act, 1994 – Section 38 Drawings



Rev.	By	Date	Description

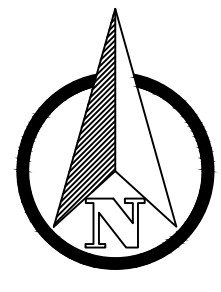

CORK CITY COUNCIL
 COMHAIRLE CATHRACH CHORCAI
 Roads Design Division
 Infrastructure Development
 Anglesea St
 Cork
Telephone: 021 427 4400

INCLUDES ORDNANCE SURVEY IRELAND DATA REPRODUCED UNDER OGL LICENCE NUMBER 02/004/2004. CORK CITY COUNCIL AND ITS OFFICERS ACCEPT NO LIABILITY FOR REPRODUCTION ERRORS OR INACCURACIES. ORDNANCE SURVEY IRELAND AND GOVERNMENT OF IRELAND COPYRIGHT. © ORDNANCE SURVEY IRELAND.

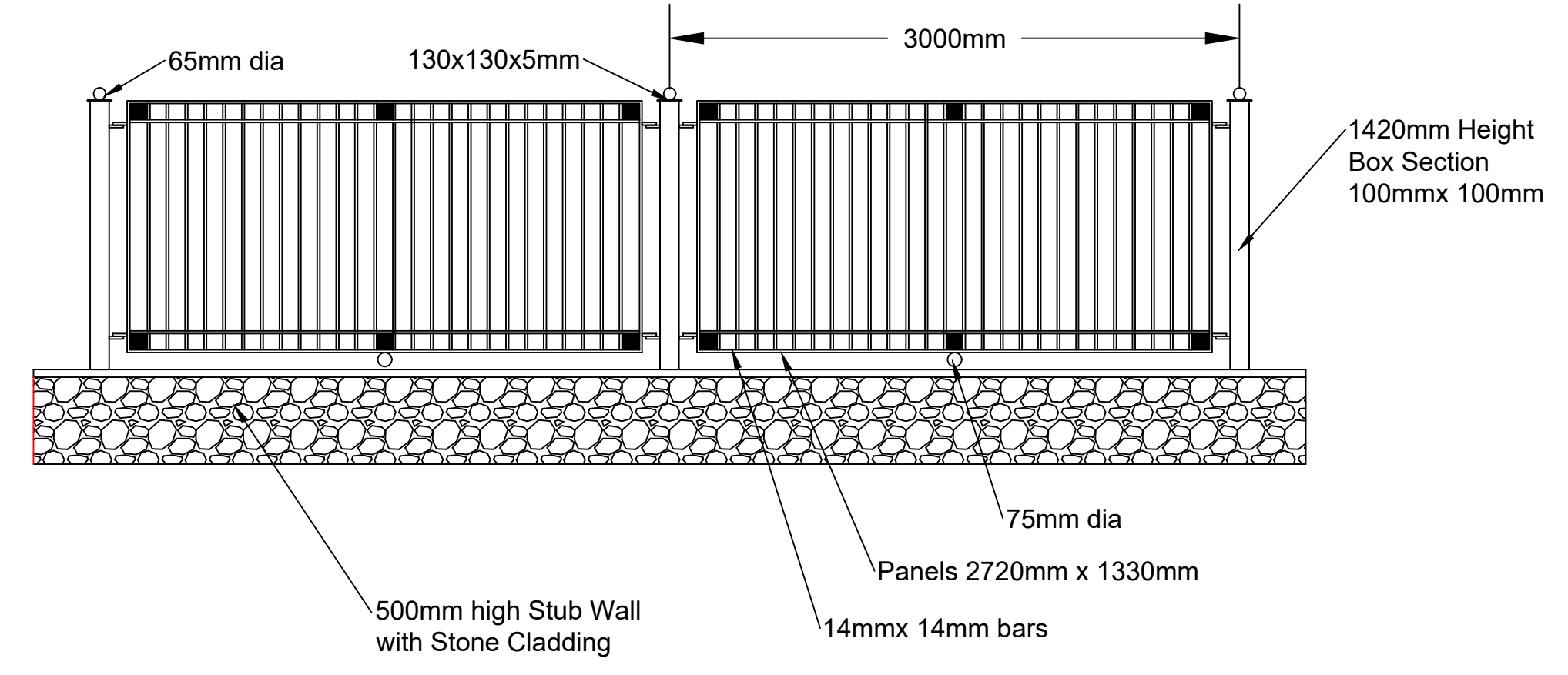
Alderbrook Pedestrian Improvement Scheme

Date	10/11/2021	Scale	1:1000
Drawn	SM	Checked	MF
Approved	ER	Drawing Number	AB-S38-LM
Rev	A		

Section 38 Drawings - Location Map



Proposed Railing and stub wall

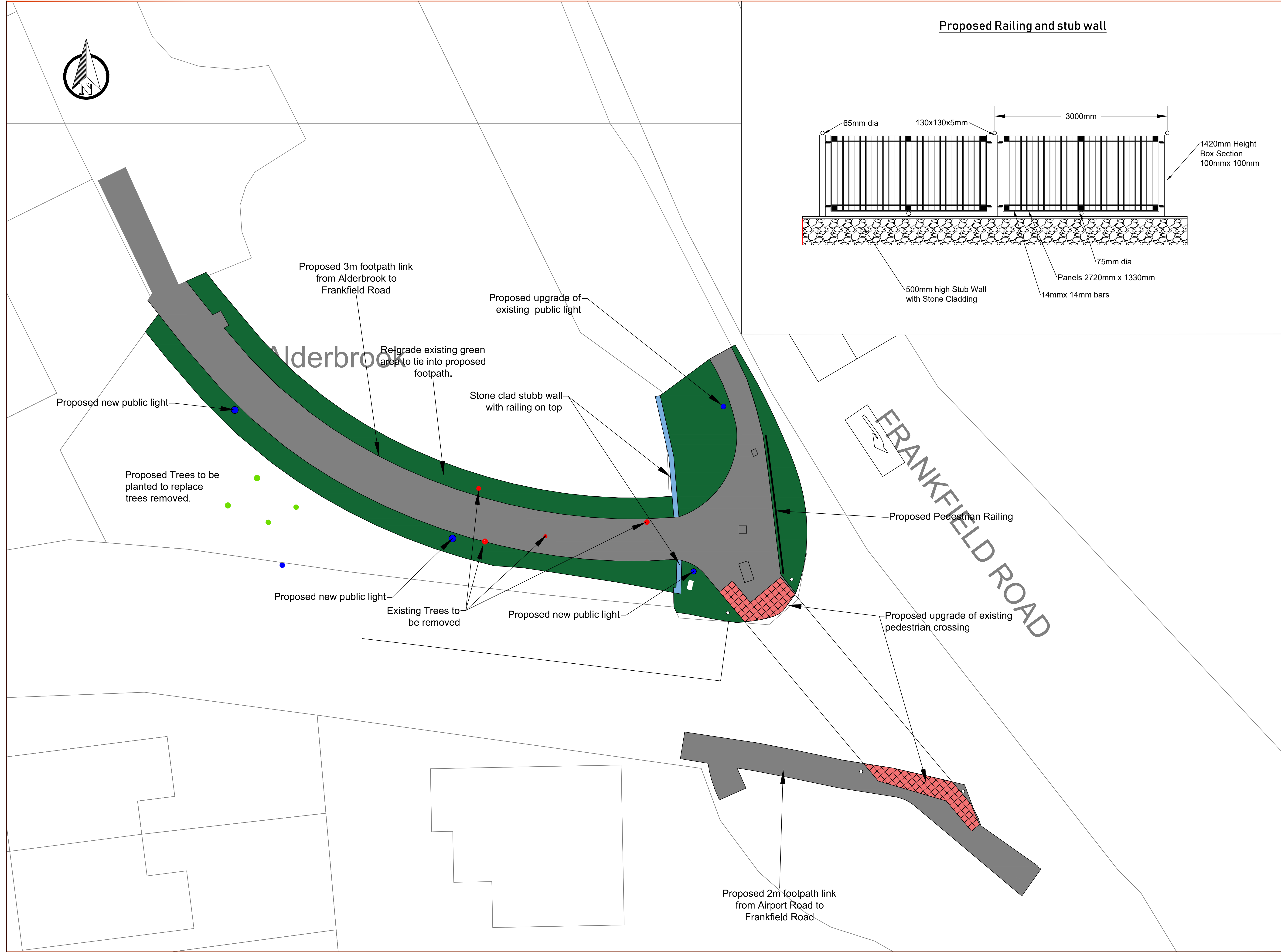


NOTES:

- Do Not Scale from Drawings
- Location of street furniture and trees are indicative and are subject to be amended at detailed design stage.
- Details of Railing and Stone wall are subject to amendment at detail design stage.

Legend:

- Indicative location of Public Lighting
- Indicative location of New Tree
- Existing Tree to be removed
- Proposed new concrete footpath
- Green area to be graded and seeded to match existing.
- Proposed new red tactile paving at upgraded crossing
- Proposed Low level stub wall with railing as per detail A.
- Proposed Pedestrian Guardrail



Rev.	By	Date	Description

CORK CITY COUNCIL
COMHAIRLE CATHRACH CHORCAI
Roads Design Division
Infrastructure Development
Angelsia St
Cork
Telephone 021 454 880

INCLUDES ORDNANCE SURVEY IRELAND DATA REPRODUCED UNDER OGL LICENCE NUMBER 2014/0350/0000/0000 UNAUTHORISED REPRODUCTION INFRINGES ORDNANCE SURVEY IRELAND AND GOVERNMENT OF IRELAND COPYRIGHT. © ORDNANCE SURVEY IRELAND.

Contract: **Alderbrook Pedestrian Improvement Scheme**

Date: Jan-2021
Scale: NTS
Drawn: SM
Checked: MF
Approved: ER
Drawing Number: AB-S38-101
Rev: A

Section 38 Drawings - General Layout

