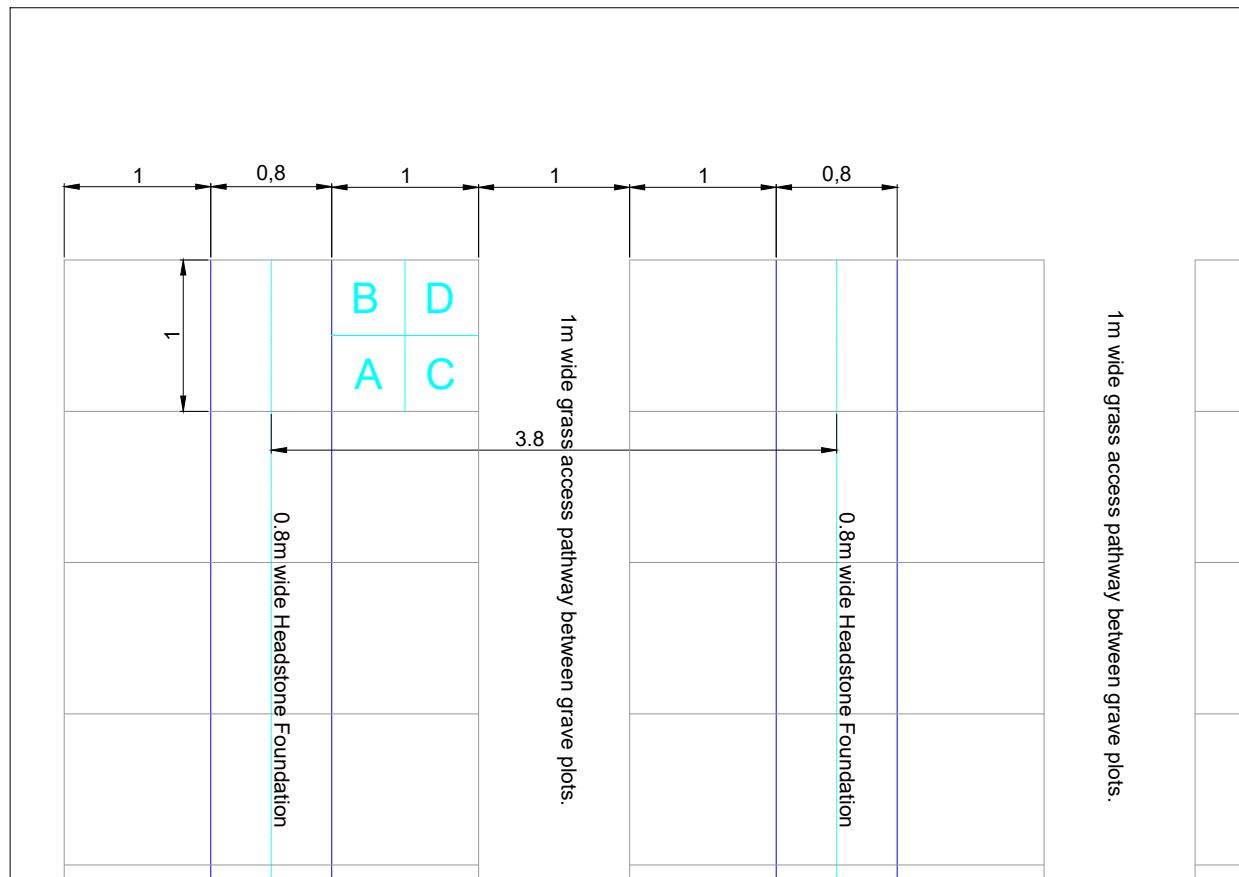
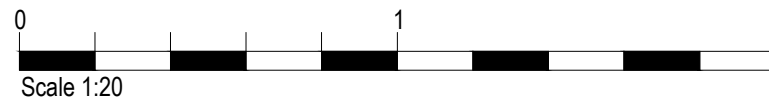
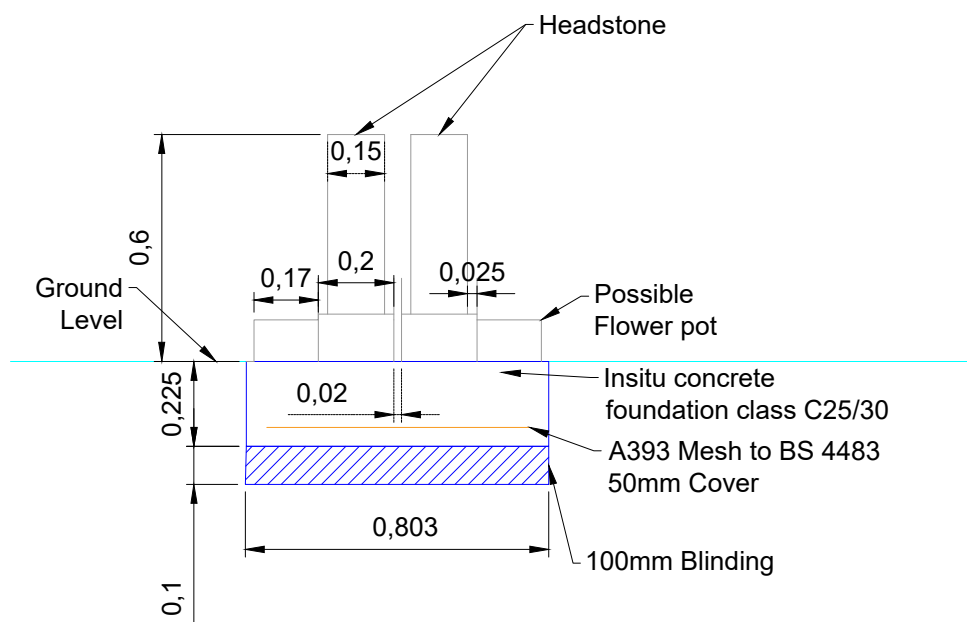


**CREMATION BURIAL PLOT LAYOUT**



**CREMATION PLOT HEADSTONE FOUNDATION (HEADSTONE MAXIMUM 0.6m HIGH)**



Figured dimensions only to be taken from this drawing. All dimensions to be checked on site. Design Office to be informed immediately of any discrepancies before work proceeds.

**Notes:**

- Proposed number of Cremation Burial Plots Approximately 880 No.
- Cremation Burial Plot dimensions 1m x 1m.
- Proposed 1m Grass paths between each row sections of cremation plots.
- Proposed Cremation Burial Plot concrete beam slab foundation make up;  
225mm high x 0.8m wide Insitu concrete class 25 / 30  
Movement joints @ 5m centres  
A393 (10mm) reinforce steel mesh  
100mm Blinding
- Dimensions are in meters unless otherwise indicated.

REV	BY	CHKD	APPR	DATE	DESCRIPTION
A	A.D	M.C	L.C	22.02.22	Ash Plot Layout and Details
B	A.D	M.C	L.C	28.11.22	Ash Plot Layout and Details
C	A.D	M.C	L.C	28.02.23	Ash Plot Layout Update
D	M.C	L.C	L.C	23.03.23	Labels Updates

**PROJECT:**  
St Catherine's Cemetery Extension

**TITLE:**  
Cremation Burial Plot Layout and Details

**Comhairle Cathrach Chorcaí**  
Cork City Council

Parks and Recreation,  
City Hall  
Cork  
Tel: (021) 4924000  
E-mail: recreation@corkcity.ie



**Parks and Recreation**

DRAWN: A.Dempsey	SCALE @ A3: As Shown	FILE NAME: Site Layout	REV:
CHECKED: M.Cotter	DATE: 02/02/2022	DRAWING NO: PK-STCATHEXT-002	D
APPROVED: L.Casey	STATUS: PRELIMINARY		